

## Sink Triplo Invaso Workstation - Undermount

Kitchen Sinks

Code: 1491 059



### DETAILS

Edge/Installation Type	Undermount
Finish	Foster brushed
Material	AISI 304 stainless steel
Texture	Foster brushed
Base	80 cm
Dimensions	835x515 mm
Standard fittings	Fixing hooks, gasket, drain, overflow and siphon, boxed packing
Mixer holes	3 standard holes
Built-in hole	View technical data sheet

Drainer	No
Width	84 cm
Bowl dimension	710 x 400 mm
Number of bowls	1 bowl
Waste fitting	Drain with automatic control SPACE (PUSH)

## EQUIPMENT

1 x Eclipse mixer tap 8499 000  
2 x Black grid 8100 603  
1 x Space Push automatic  
waste fitting 8407 116

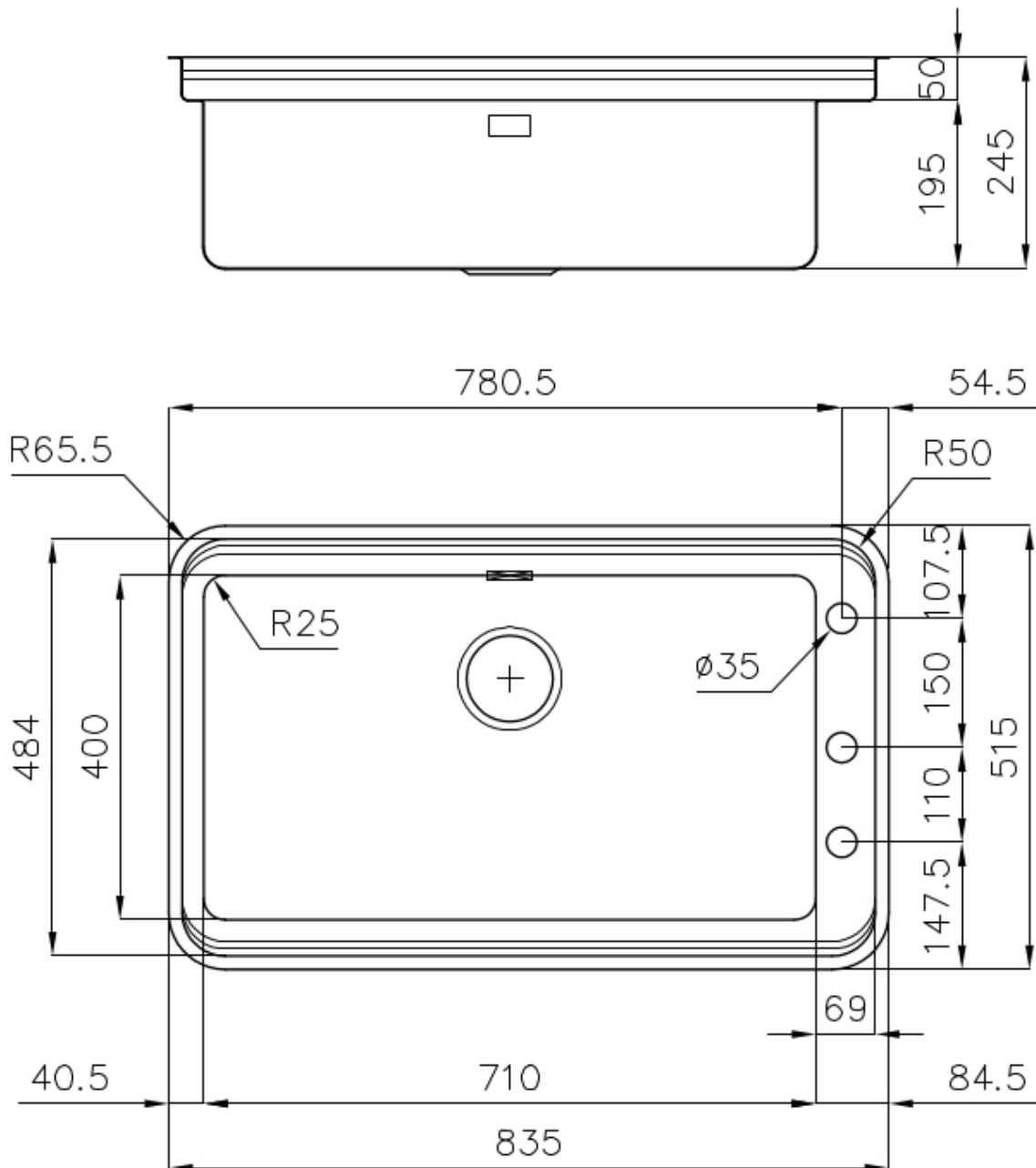
## FEATURES

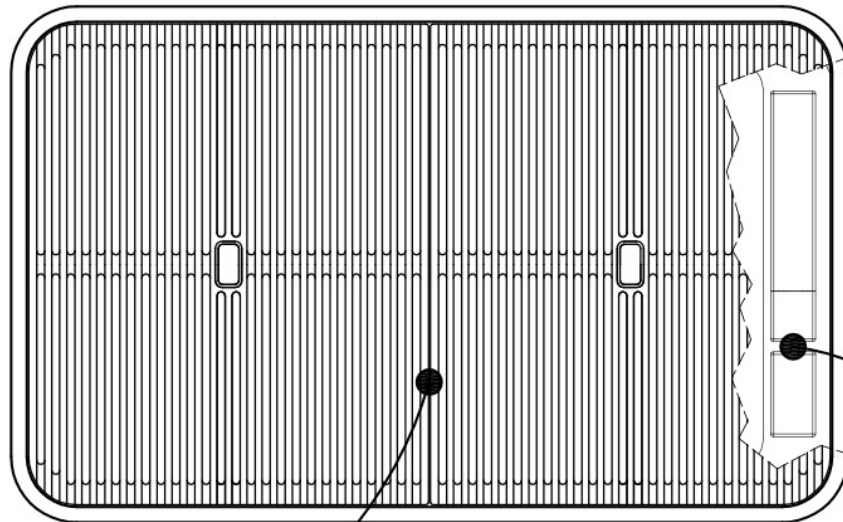
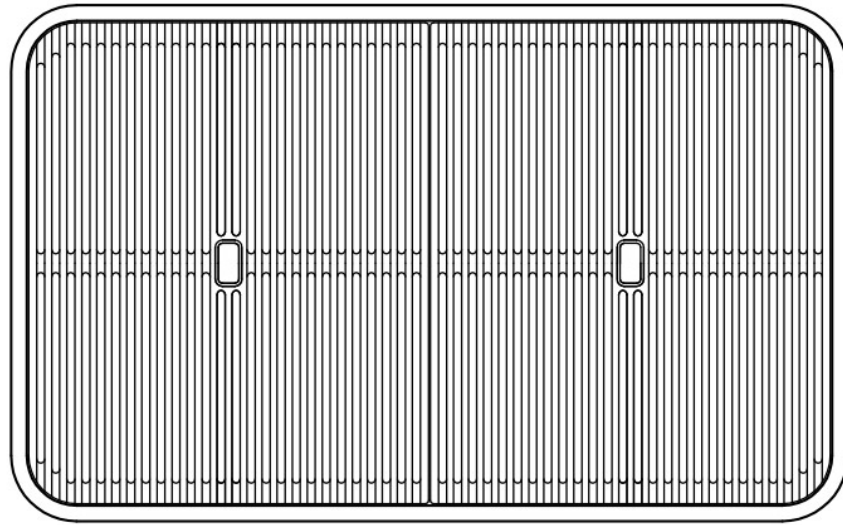
Automatic waste fitting	The waste-fitting with round remote knob is supplied; a practical accessory which makes it unnecessary to get wet in order to drain the water from the bowl.
Deep bowls	This bowls reach an important depth, over 20 cm, thanks to the advanced production technology, that can be offer great capieny and praticity in all the washing operations.
Perimetral overflow	The overflow is always a security on the Foster sinks that prevents the overflow of water in case of oversights. The perimeter drain solution improves aesthetics thanks to its square and essential shape.
Small radius	Bowls with squared shapes with a modern design and an increased capacity, for a minimal aesthetics connected with an extreme praticity.
Space waste fitting	The elegant SPACE steel cap closes the drain and leaves no visible residues collected in the basket below. Space also has a small footprint and allows the optimal use of the under-sink compartment.

three-step system

An ingenious design that makes it simple to use a large set of optional accessories. On the topmost supporting step, the innovative Black grids slide, creating a large and practical surface to rinse food and crockery. The second step is meant to support and allow the sliding of a complete combination of accessories, which make some operations practical and safe: rinse, drain, slice, grate... everything can be done inside the sink. The new Black grids strongly characterize aesthetics and functionality. Hygienic, with great lightness, resistance and ease of cleaning, they are also 100% ecological, a respectful choice for nature and the environment that surrounds us.

## TECHNICAL DATA



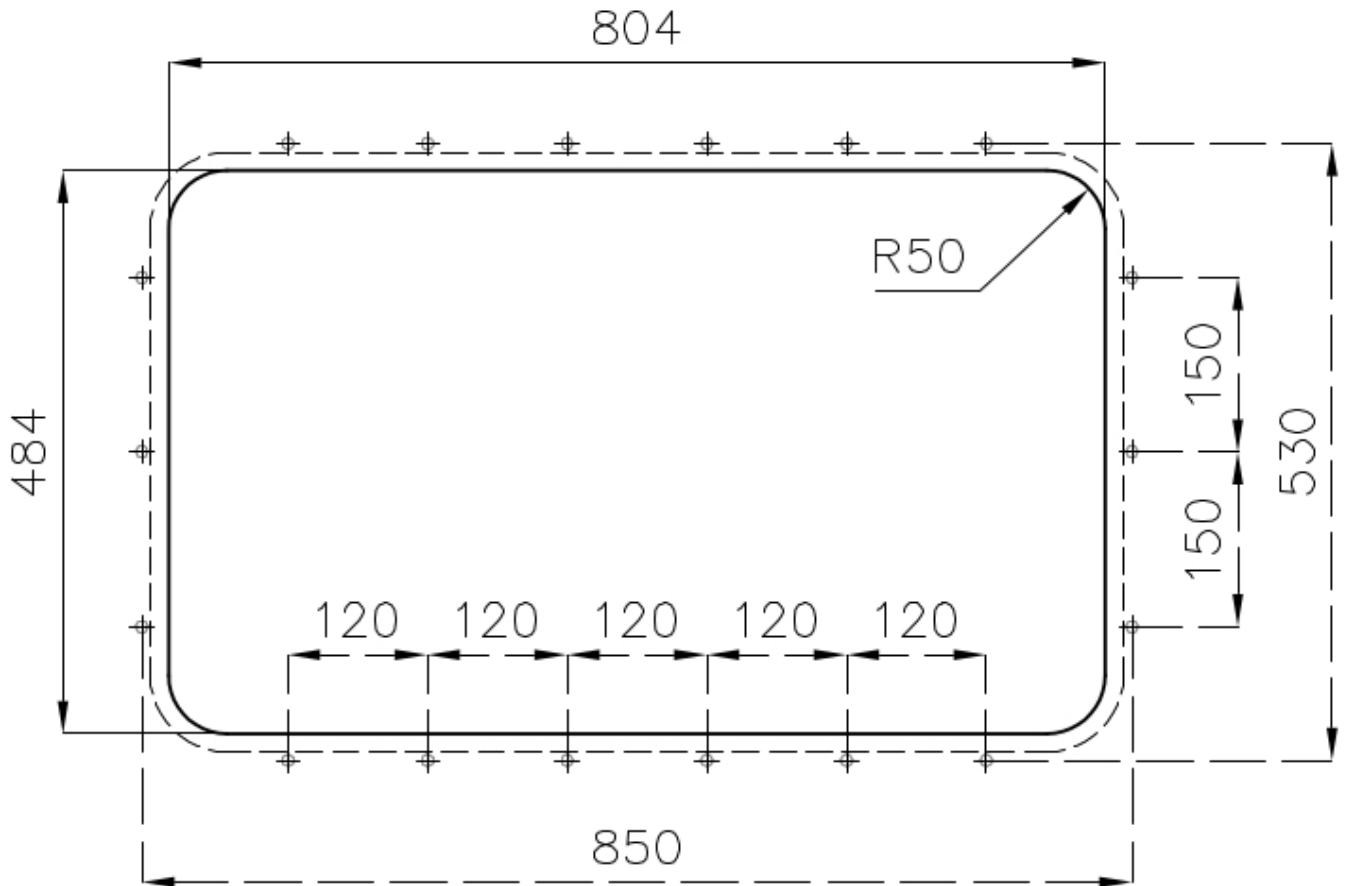


8100 603

**Grid**  
**Griglia**  
**x2**

8499 000

**Mixer tap**  
**Miscelatore**



## GALLERY



## EQUIPMENT



**Mixer Tap Eclipse**  
8499 000



**Space Push automatic waste fitting**  
- PP  
8407 116

## OPTIONAL ACCESSORIES



**Cestello inox**  
8612 000



**Glass chopping board**  
8631 300



**HDPE Chopping board**  
8657 001



**Iroko-wood chopping board**  
8643 115



**Stainless steel plate rack**  
8100 115



**White bowl**  
8153 100